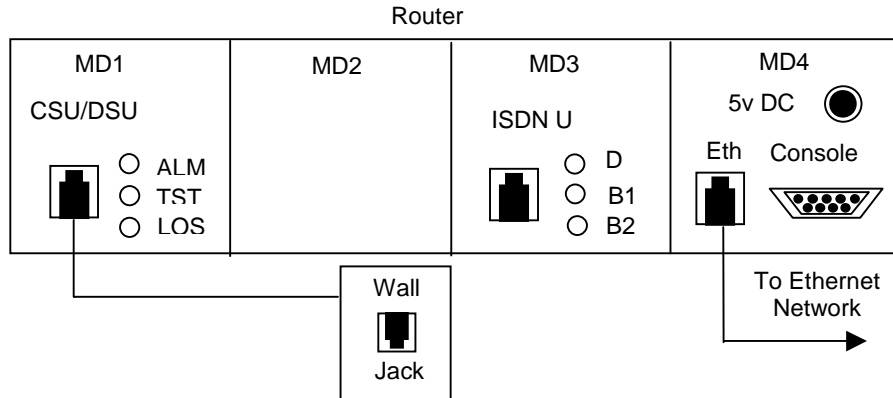


Configuring the OpenROUTE GTX1000-T1

If you received the router from us it should be preconfigured. You can telnet into the box using the default account of admin with the password of letmein.

If not preconfigured you can connect a console to the console port of the router. A null modem adapter is provided. Connect the Null Modem to the console cable provided and then to the serial port of a PC (or Mac with proper cables) with VT100 emulation software set to 9600, 8, none 1. If the router has not been preconfigured, it will run through an interactive script upon bootup. **NOTE: Connect the console port prior to powering up the router, otherwise the router will not see that the console port is available for use.**



Interface Configuration

Type 'Yes' to Configure Interfaces
 Type 'No' to skip Interface Configuration
 Type 'Quit' to exit Quick Config

Configure Interfaces? (Yes, No, Quit): [Yes] <enter>
 Type 'r' any time at this level to restart Interface Configuration

Interface 0 is Ethernet

Configure this interface ? (Yes, No): [Yes] <enter>

Ethernet interface auto-configured

Interface 1 is WAN Frame Relay

Configure this interface ? (Yes, No): [Yes] <enter>
 Data-link protocol (Point to Point, Frame Relay): [Point to Point] Frame Relay
 Enable LAN emulation (Yes, No): [No] <enter>
 Enter circuit number (16 - 1007): [16] DLCI
 Enter circuit name (1-23 characters): [] Internet
 Enter Committed Information Rate (CIR) in bps (300 - 2048000): [64000] 1536000
 Enter Committed Burst Size (Bc) in bits (300 - 2048000): [64000] 1536000
 Enter Excess Burst Size (Be) in bits (0 - 2048000): [0] <enter>
 T1 Circuit Identifier: [] Internet
 Please specify range of T1 timeslots to enable
 Enter first timeslot of range (1 - 24): [1] <enter>
 Enter last timeslot of range (1 - 24): [24] <enter>

Configuring the OpenROUTE GTX1000-T1 (cont'd)

T1 channels speed (56, 64): [64] <enter>
T1 CRC type (ANSI, Japanese): [ANSI] <enter>
T1 Long-haul (CSU) or short-haul (DSX-1) ? (Long, Short): [Long] <enter>
T1 Line build out (-dB) (0, 7.5, 15, 22.5): [0] <enter>

This is all configured device information:

Interface 0 is Ethernet, connector (10baseT UTP) auto-configured
Interface 1 is WAN with Frame Relay encapsulation, connector auto-configured
LAN Emulation: Disabled
Circuit name: Internet
Circuit number: DLCI
Committed Information Rate: 1536000
Committed Burst Size: 1536000
Excess Burst Size: 0
T1 with 64K channels speed, ANSI CRC, line build out 0 - 133 feet/0 dB
Timeslots: 1 2 3 4 5 6 7 8 9 10 11 12 13 14 15 16
17 18 19 20 21 22 23 24
Circuit Identifier: Internet

Save this configuration? (Yes, No): [Yes] <enter>

Interface configuration saved

Bridging Configuration

Type 'Yes' to Configure Bridging
Type 'No' to skip Bridging Configuration
Type 'Quit' to exit Quick Config

Configure Bridging? (Yes, No, Quit): [Yes] no

Protocol Configuration

Type 'Yes' to Configure Protocols
Type 'No' to skip Protocol Configuration
Type 'Quit' to exit Quick Config

Configure Protocols? (Yes, No, Quit): [Yes] <enter>
Type 'r' any time at this level to restart Protocol Configuration

Configure IP? (Yes, No): [Yes] <enter>
Type 'r' any time at this level to restart IP Configuration

IP Configuration is already present
Configure IP anyway? (Yes, No): [No] yes
Configuring Per-Interface IP Information

Configuring the OpenROUTE GTX1000-T1 (cont'd)

Configuring Interface 0 (Ethernet)

Enable IP on this interface? (Yes, No): [Yes] <enter>

Use Dynamic IP Address Assignment via DHCP? (Yes, No): [Yes] no

IP Address: [192.168.1.1] LAN.LAN.LAN.1

Address Mask: [255.0.0.0] 255.255.255.0

Configuring Interface 1 (WAN Frame Relay)

Enable IP on this interface? (Yes, No): [Yes] <enter>

IP Address: [] SER.SER.SER.SER

Address Mask: [255.0.0.0] 255.255.255.0

Per-Interface IP Configuration complete

Configuring IP Routing Information

Enable Dynamic Routing via RIP or OSPF? (Yes, No): [No] <enter>

Only Static Routing Enabled

Specify a Default Route? (Yes, No): [Yes] <enter>

Specify default route via an Unnumbered or Address Assigned Interface?
(Yes, No): [Yes] no

Default Route Gateway IP Address?: [0.0.0.0] SER.SER.SER.1

Routing Configuration Complete

SNMP will be configured with the following parameters:

Community: public

Access: READ-ONLY

This is the information you have entered:

Interface #	IP Address	Address Mask
0	LAN.LAN.LAN.1	255.255.255.0
1	SER.SER.SER.SER	255.255.255.0

Only STATIC Routing present

Default route is via gateway at SER.SER.SER.1

All other IP configuration will be reset to default values

Save this configuration? (Yes, No): [Yes] <enter>

IP configuration saved

Configure IPX? (Yes, No): [Yes] no

Configuring the OpenROUTE GTX1000-T1 (cont'd)

Booting Configuration

Type 'Yes' to Configure Booting
Type 'No' to skip Booting Configuration
Type 'Quit' to exit Quick Config

Configure Booting? (Yes, No, Quit): [Yes] <enter>
Type 'r' any time at this level to restart Booting Configuration

Previous Boot information

Booting Method: IBD Boot
IBD Load Name: gtx1000.ldc

Create an IBD boot record using this information? (Yes, No): [Yes] <enter>

Boot configuration saved
Enable Console Modem-Control? (Yes, No, Quit): [No] <enter>

Quick Config Done
Restart the router for this configuration to take effect

Restart the router? (Yes, No): [Yes] <enter>

RESTARTING THE ROUTER.....

After the reboot, simply add the Internet default username
and password.

MOS Operator Control

*TALK 6

Gateway user configuration

```
Config>>ADD USER admin
Enter authentication type: (N)one, (P)assword, (C)hallenge, or (Q)uit [C]? p
Enter password: letmein
Enter password again: letmein
Enter permission: (A)dmin, (O)perations, (M)onitor, or (Q)uit [A]? <enter>
User 'admin' has been added
Do you want to add Technical Support access? (Y)es, (N)o, or (Q)uit [Y]? no
```

Configuring the OpenROUTE GTX1000-T1 (cont'd)

```
Config>>PROTOCOL ip
```

```
Internet protocol user configuration
```

```
IP config>DISABLE DIRECTED-BROADCAST
```

```
IP address (CR for all)? <enter>
```

```
IP config>exit
```

```
config>NETWORK 1
```

```
Circuit Configuration
```

```
Circuit Config <NET-1> set DESTINATION Internet
```

```
Circuit Config <NET-1> exit
```

```
Config> <ctrl>-<p>
```

```
* restart
```

```
Are you sure you want to restart the gateway? (Yes or [No]): yes
```

```
LAN.LAN.LAN.1      = Ethernet address of Customer Router
```

```
LAN.LAN.LAN        = Customer Network Number
```

```
SER.SER.SER.SER    = Serial address of Customer Router
```

```
SER.SER.SER.1      = Address of POP Router
```

```
DLCI                = Customer DLCI
```