

Configuring the MicroRouter 1250i and 1270i – Leased Line

There are two ways to connect to the 1250i or 1270i for command line access:

- Connecting a console to the AUX port of the router.
- Telnetting to the IP address of the Ethernet port.

Ports:

- Two Ethernet Interfaces with 10baseT connection
- One Serial Wan port (RS232)
- One Wan port (10BaseT)
- One Serial port (for console)

They come with two cables, one to connect the console and one to connect the WAN:

- One cable comes with a male DB-25 connector (this is the Data or WAN cable).
- The other has a female DB-25 at one end (this is the Console cable).

The console cable should be plugged into the back of the router in the port labeled Console. The terminal software should be set to 9600,8,none,1. When you connect the console, and the router is plugged in, you can turn it on and watch it boot.

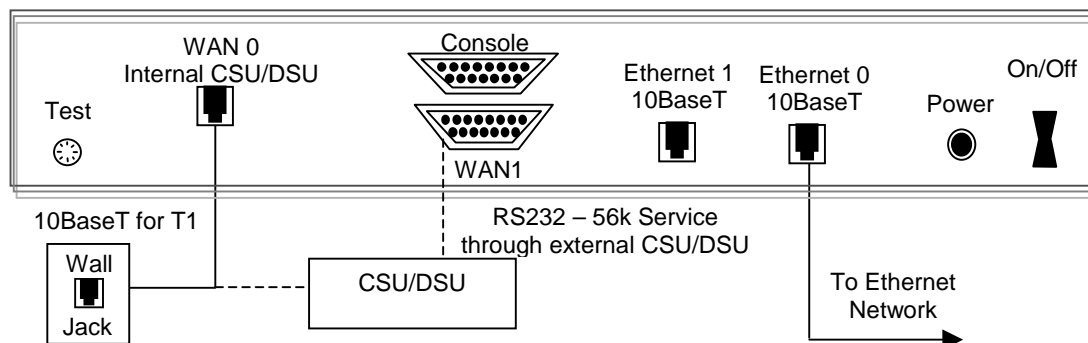
You will get the prompt:

```
System initialization complete.
Enter Password: letmein
```

There are two modes in the shell software:

- Standard mode-this is used to display configuration information and statistics. The standard mode prompt ends with the > character.
- Enhanced mode-to make changes to the configuration you must be in the enhanced mode. It's prompt ends with the # character. You can enter the enhanced mode by issuing any 'set' command or by issuing the 'enhanced' command. You will be prompted to enter the password again. Once in the enhanced mode you can begin to configure the router.

Connect the router as in the diagram:



Configuring MicroRouter 1250i & 1270i (cont'd)

The following commands can be used from a terminal session or telnet from either the LAN or through the FR RELAY.

Put router in Enhanced Mode. From the command prompt, type "en" and then reenter password. Select the appropriate configuration from the following:

Pre OS 4.0.1 (10BaseT)

```
interface wan b
set wan mode off
interface wan a
set ip on
set ip wan numbered
set ip wan nottrigger
set ip address POP.POP.POP.SER
set ip mask 255.255.255.0
set ip broadcast POP.POP.POP.255
set ip flags rip1
set frelay dlci DLCI ip map POP.POP.POP.1 Broad
set frelay maint ANNEXD 10
set frelay mtu 1500
set wan mode frelay
set wan connect mode dedicated
set wan serial type sync External_tx_clock
reset ip routing 0.0.0.0 0.0.0.0 config
add ip route 0.0.0.0 0.0.0.0 POP.POP.POP.1 1 config
set wan csu channels start 1
set wan csu channels count #OFCHANNELS
set wan csu channels contiguous
set wan csu clock slave
set wan csu coding b8zs
set wan csu data normal
set wan csu framing esf
set wan csu lbo db0
set wan csu prn disable
set wan csu rate data64
set wan csu loopback accept all
interface ethernet a
set ip on
set ip address LAN.LAN.LAN.1
set ip mask 255.255.255.0
set ip broadcast LAN.LAN.LAN.255
set ip flags rip1
set password yourpassword
set system name DOMAIN
```

Pre OS 4.0.1 for 56K Service (RS232)

```
interface wan a
set wan mode off
interface wan b
set ip on
set ip wan numbered
set ip wan nottrigger
set ip address POP.POP.POP.SER
set ip mask 255.255.255.0
set ip broadcast POP.POP.POP.255
set ip flags rip1
set frelay dlci DLCI ip map POP.POP.POP.1 Broad
set frelay maint ANNEXD 10
set frelay mtu 1500
set wan mode frelay
set wan connect mode dedicated
set wan serial type sync External_tx_clock
reset ip routing 0.0.0.0 0.0.0.0 config
add ip route 0.0.0.0 0.0.0.0 POP.POP.POP.1 1 config
interface bridge
set ip off
interface ethernet b
set bridge off
interface ethernet a
set bridge off
set ip on
set ip address LAN.LAN.LAN.1
set ip mask 255.255.255.0
set ip broadcast LAN.LAN.LAN.255
set ip flags rip1
set sys log level 7
set password yourpassword
set system name DOMAIN
```

Key:

LAN.LAN.LAN.LAN	= Your router IP address
LAN.LAN.LAN.0	= Your class C network
LAN.LAN.LAN.255	= Your broadcast address
POP.POP.POP.SER	= Your router serial IP address
POP.POP.POP.1	= Local POP IP address
POP.POP.POP.255	= Your serial IP broadcast address
DLCI	= Customer DLCI number
DOMAIN	= Your domain name

Configuring MicroRouter 1250i & 1270i (cont'd)

OS 4.0.1 (10BaseT)

[General]

RouterName = DOMAIN
 EthernetAddress = 00:00:a5:4c:85:00
 SoftwareVersion = MicroRouter 1220i V4.0.1
 RouterType = MicroRouter 1220i

ConfiguredFrom = Command Line, from 198.41.12.70

Password = yourpassword
 ConfiguredOn = Timeserver not configured

[Logging]

Enabled = TRUE
 Level = Notice
 LogToAuxPort = TRUE
 LogToSysLog = FALSE

[IP Wan 0]

RIPVersion = V1
 RIPIn = Off
 RIPOut = On
 IPBroadcast = POP.POP.POP.255
 SubnetMask = 255.255.255.0
 IPAddress = POP.POP.POP.SER
 Mode = Routed
 Numbered = On
 Updates = Periodic

[Link Config Wan 0]

Mode = FrameRelay
 ConnectMode = Dedicated
 Dialing = AT
 DropInact = 10
 DialIn = TRUE
 DialOut = FALSE

[T1 Interface Wan 0]

LineFraming = ESF
 LineEncoding = B8ZS
 DSOSStart = 1
 DSOCcount = #OFCHANNELS
 ContiguousChannels = TRUE
 ChannelDataRate = 64K
 ReceiveV54LoopUps = FALSE

[IP Ethernet 0]

Mode = Routed
 IPAddress = LAN.LAN.LAN.LAN
 SubnetMask = 255.255.255.0
 IPBroadcast = LAN.LAN.LAN.255
 RIPVersion = None
RIPIn = FALSE
 RIPOut = FALSE

[Frame Relay Wan 0]

DLCI = DLCI
 Ip = POP.POP.POP.1

[IP Static]

0 0 0 0 0 0 0 0 POPIP.1 1 REDIST =RIP

OS 4.0.1 for 56K Service (RS232)

[General]

RouterName = \$domain\$
 EthernetAddress = 00:00:a5:4c:85:00
 SoftwareVersion = MicroRouter 1220i V4.0.1
 RouterType = MicroRouter 1220i
 ConfiguredOn = Timeserver not configured
 Password = yourpassword
 ConfiguredFrom = Command Line, from Console

[Logging]

Enabled = TRUE
 Level = Notice
 LogToAuxPort = TRUE
 LogToSysLog = FALSE

[IP Wan 0]

Mode = Off

[Link Config Wan 0]

Mode = Off

[IP Wan 1]

Updates = Periodic
 Numbered = On
 Mode = Routed
 IPAddress = POP.POP.POP.SER
 SubnetMask = 255.255.255.0
 IPBroadcast = POP.POP.POP.255
 RIPOut = On
 RIPIn = Off
 RIPVersion = V1

[Link Config Wan 1]

DialOut = Off
 AlwaysUp = On
 ConnectMode = Dedicated
 Mode = FrameRelay

[RS232 Interface Wan 1]

Baud = 56000
 LinkType = Sync

[IP Ethernet 0]

RIPOut = Off
 RIPIn = Off
 RIPVersion = None
 IPBroadcast = LAN.LAN.LAN.255
 SubnetMask = 255.255.255.0
 IPAddress = LAN.LAN.LAN.1
 Mode = Routed

[Frame Relay Wan 1]

DLCI = DLCI
 Ip = POP.POP.POP.1

[IP Static]

0.0.0.0 0.0.0.0 POPIP.1 1 REDIST =RIP