

## Configuring the MicroRouter 1220i – Leased Line

There are two ways to connect to the 1220i for command line access:

- Connecting a console to the AUX port of the router.
- Telnetting to the IP address of the Ethernet port.

Ports:

- Two Ethernet Interfaces with 10baseT connection
- One Serial Wan port (RS232)
- One Serial Wan port (v.35)
- One Serial port (for console)

The MR1220i comes with two cables, one to connect the console and one to connect the WAN:

- One cable comes with a male DB-25 connector (this is the Data or WAN cable).
- The other has a female DB-25 at one end (this is the AUX or Console cable).

The Console cable should be plugged into the back of the router in the port labeled Console. The terminal software should be set to 9600,8,none,1. When you connect the console, and the router is plugged in, you can turn it on and watch it boot.

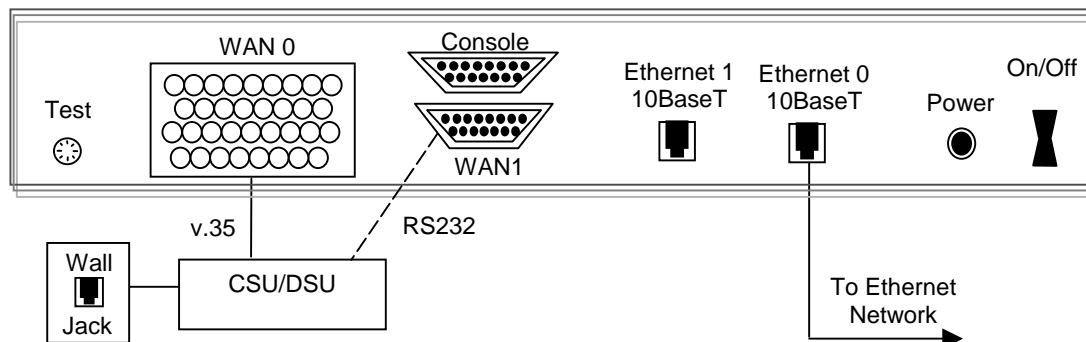
You will get the prompt:

```
System initialization complete.
Enter Password: letmein
```

There are two modes in the shell software:

- Standard mode-This is used to display configuration information and statistics. The standard mode prompt ends with the > character.
- Enhanced mode-To make changes to the configuration you must be in the enhanced mode. It's prompt ends with the # character. You can enter the enhanced mode by issuing any 'set' command or by issuing the 'enhanced' command. You will be prompted to enter the password again. Once in the enhanced mode you can begin to configure the router.

Connect the router as in the diagram (Fractional T1 must use WAN 0 via v.35 cable):



## Configuring the MicroRouter 1220i – Leased Line (cont'd)

The following commands can be used from a terminal session or telnet from either the LAN or through the FR RELAY.

Type the commands as shown. Type return at the end of each line. Variables used include POP, SER, DLCI, and LAN. All other entries are to be typed as shown.

Put router in Enhanced Mode. From the command prompt, type "en" and then reenter password. Select the appropriate configuration from the following:

### Pre OS 4.0.1 (v.35)

```
interface wan b
set wan mode off
interface wan a
set ip on
set ip wan numbered
set ip wan nottrigger
set ip address POP.POP.POP.SER
set ip mask 255.255.255.0
set ip broadcast POP.POP.POP.255
set ip flags rip1
set frelay dlcI DLCI ip map POP.POP.POP.1 Broad
set frelay maint ANNEXD 10
set frelay mtu 1500
set wan mode frelay
set wan connect mode dedicated
set wan serial type sync External_tx_clock
reset ip routing 0.0.0.0 0.0.0.0 config
add ip route 0.0.0.0 0.0.0.0 POP.POP.POP.1 1 config
interface bridge
set ip off
interface ethernet b
set bridge off
interface ethernet a
set bridge off
set ip on
set ip address LAN.LAN.LAN.1
set ip mask 255.255.255.0
set ip broadcast LAN.LAN.LAN.255
set ip flags rip1
set sys log level 7
set password yourpassword
set system name DOMAIN
```

### Pre OS 4.0.1 for 56K Service (RS232)

```
interface wan a
set wan mode off
interface wan b
set ip on
set ip wan numbered
set ip wan nottrigger
set ip address POP.POP.POP.SER
set ip mask 255.255.255.0
set ip broadcast POP.POP.POP.255
set ip flags rip1
set frelay dlcI DLCI ip map POP.POP.POP.1 Broad
set frelay maint ANNEXD 10
set frelay mtu 1500
set wan mode frelay
set wan connect mode dedicated
set wan serial type sync External_tx_clock
reset ip routing 0.0.0.0 0.0.0.0 config
add ip route 0.0.0.0 0.0.0.0 POP.POP.POP.1 1 config
interface bridge
set ip off
interface ethernet b
set bridge off
interface ethernet a
set bridge off
set ip on
set ip address LAN.LAN.LAN.1
set ip mask 255.255.255.0
set ip broadcast LAN.LAN.LAN.255
set ip flags rip1
set sys log level 7
set password yourpassword
set system name DOMAIN
```

#### Key:

```
LAN.LAN.LAN.LAN = Your router IP address
LAN.LAN.LAN.0   = Your class C network
LAN.LAN.LAN.255 = Your broadcast address
POP.POP.POP.SER = Your router serial IP address
POP.POP.POP.1   = Local POP IP address
POP.POP.POP.255 = Your serial IP broadcast address
DLCI             = Customer DLCI number
DOMAIN          = Your domain name
```

## Configuring the MicroRouter 1220i – Leased Line (cont'd)

### OS 4.0.1 (v.35)

#### [ General ]

RouterName = DOMAIN  
 EthernetAddress = 00:00:a5:4c:85:00  
 SoftwareVersion = MicroRouter 1220i V4.0.1  
 RouterType = MicroRouter 1220i

**ConfiguredFrom = Command Line, from 198.41.12.70**

Password = yourpassword  
 ConfiguredOn = Timeserver not configured

#### [ Logging ]

Enabled = TRUE  
 Level = Notice  
 LogToAuxPort = TRUE  
 LogToSysLog = FALSE

#### [ IP Wan 0 ]

RIPVersion = V1  
 RIPIn = Off  
 RIPOut = On  
 IPBroadcast = POP.POP.POP.255  
 SubnetMask = 255.255.255.0  
 IPAddress = POP.POP.POP.SER  
 Mode = Routed  
 Numbered = On  
 Updates = Periodic

#### [ Link Config Wan 0 ]

Mode = FrameRelay  
 ConnectMode = Dedicated  
 Dialing = AT  
 DropInact = 10  
 DialIn = TRUE  
 DialOut = FALSE

#### [ V.35 Interface Wan 0 ]

TxInternal = FALSE  
 FlowCntl = None

#### [ IP Wan 1 ]

Mode = Off

#### [ Link Config Wan 1 ]

Mode = Off

#### [ IP Ethernet 0 ]

Mode = Routed  
 IPAddress = LAN.LAN.LAN.LAN  
 SubnetMask = 255.255.255.0  
 IPBroadcast = LAN.LAN.LAN.255  
 RIPVersion = None  
 RIPIn = FALSE  
 RIPOut = FALSE

#### [ Frame Relay Wan 0 ]

MaintProtocol = annexd  
 MTU = 1500  
 PollingFrequency = 10  
 DLCI = DLCI  
 Ip = POP.POP.POP.1

#### [ IP Static ]

### OS 4.0.1 for 56K Service (RS232)

#### [ General ]

RouterName = \$domain\$  
 EthernetAddress = 00:00:a5:4c:85:00  
 SoftwareVersion = MicroRouter 1220i V4.0.1  
 RouterType = MicroRouter 1220i  
 ConfiguredOn = Timeserver not configured  
 Password = yourpassword  
 ConfiguredFrom = Command Line, from Console

#### [ Logging ]

Enabled = TRUE  
 Level = Notice  
 LogToAuxPort = TRUE  
 LogToSysLog = FALSE

#### [ IP Wan 0 ]

Mode = Off

#### [ Link Config Wan 0 ]

Mode = Off

#### [ IP Wan 1 ]

Updates = Periodic  
 Numbered = On  
 Mode = Routed  
 IPAddress = POP.POP.POP.SER  
 SubnetMask = 255.255.255.0  
 IPBroadcast = POP.POP.POP.255  
 RIPOut = On  
 RIPIn = Off  
 RIPVersion = V1

#### [ Link Config Wan 1 ]

DialOut = Off  
 AlwaysUp = On  
 ConnectMode = Dedicated  
 Mode = FrameRelay

#### [ RS232 Interface Wan 1 ]

Baud = 56000  
 LinkType = Sync

#### [ IP Ethernet 0 ]

RIPOut = Off  
 RIPIn = Off  
 RIPVersion = None  
 IPBroadcast = LAN.LAN.LAN.255  
 SubnetMask = 255.255.255.0  
 IPAddress = LAN.LAN.LAN.1  
 Mode = Routed

#### [ Frame Relay Wan 1 ]

DLCI = DLCI  
 Ip = POP.POP.POP.1

#### [ IP Static ]

0.0.0.0 0.0.0.0 POPIP.1 1 REDIST =RIP